

PACIFIC DILIGENCE



PACIFIC DEFIANCE as shown, PACIFIC DILIGENCE similar

HAVYARD 844-XL AHTS

Vessel Characteristics

Length, Overall:	301.8 ft	92 m
Beam:	72.2 ft	22 m
Depth:	29.5 ft	9 m
Maximum Draft:	24.6 ft	7.5 m
Freeboard:	4.9 ft	1.5 m
Displacement:	9,950 lt	10,110 mt
Deadweight:	4,480 lt	4,550 mt
Clear Deck Space:	118 x 59 ft	36 x 18 m
Clear Deck Area:	6,980 ft ²	650 m ²
Deck Strength AFT:	2,050 lb/ft ²	10 t/m ²
Class Notations:	DNV: +1A, Fire fighter(I), Offshore service vessel(Anchor handling, Towing), Tug, Clean, DYNPOS(AUTR), E0, Ice(C), SPS	

Capacities

Deck Cargo:	1,480 lt	1,500 t
Fuel Oil:	482,000 gal	1,820 m ³
Potable Water:	51,800 gal	200 m ³
Fresh Water:	306,000 gal	1,160 m ³
Drill/Ballast Water:	783,000 gal	2,970 m ³
Bulk Tanks (4 tanks):	8,340 ft ³	240 m ³
Liquid Mud (2.5 SG*):	5,410 bbl	860 m ³
<small>*Max Structural Specific Gravity</small>		
Base Oil:	2,860 bbl	450 m ³
Oil Dispersant:	4,580 gal	17.3 m ³

TIDEWATER

Find out more

tdw.com

Pg.2 Further Specifications

Pg.5 Capacity Table

Pg.4 General Arrangement

Pg.6 DP Capability Plot

NOTICE: The data contained herein is provided for convenience of reference to allow users to determine the suitability of the Company's equipment. The data may vary from the current condition of equipment which can only be determined by physical inspection. Company has exercised due diligence to insure that the data contained herein is reasonably accurate. However, Company does not warrant the accuracy or completeness of the data. In no event shall Company be liable for any damages whatsoever arising out of the use or inability to use the data contained herein.



Machinery

Main Engines (4):	MAN 9L27/38		
Total HP:	17,600		
Propellers (2):	MAN CPP		
Gears (2):	RRM SV650-FCP		
Kort Nozzles:	2		
Rudders (2):	RRM HIGH LIFT		
Primary Generators (1):	1,360 kw	440 v	60 hz
Driven by:	CAT 3512B		
Secondary Generators (2):	2,800 kw	440 v	60 hz
Driven by:	MAIN ENGINES		
Emergency Generators (1):	350 kw	440 v	60 hz
Driven by:	CAT C18		
Bow Thruster (3):	2XBRUNVOLL FU-80-LTC-2000 CP TT, 1XBRUNVOLL AR-63-LNC-1650 DD		
Driven by:	880KW ELECTRIC MOTORS		
Total Thrust:	44.2 st	40.1 mt	
Stern Thruster (2):	BRUNVOLL FU-80-LTC-2000 CP TT		
Driven by:	880KW ELECTRIC MOTORS		
Total Thrust:	29.5 st	26.8 mt	

Performance*

Fuel Consumption Vs Speed		
Maximum:	45 m ³ /day (500 gph) @ 14 knots	
Cruising:	32 m ³ /day (350 gph) @ 13 knots	
Economical:	24 m ³ /day (260 gph) @ 10 knots	
Standby:	1.8 m ³ /day (19.8 gph) @ 0 knots	
Bollard Pull	250 st	230 mt
Transfer Rates		
Fuel Oil:	660 gpm @ 300 ft	150 m ³ /h @ 92 m
Fresh Water:	660 gpm @ 300 ft	150 m ³ /h @ 92 m
Drill/Ballast Water:	660 gpm @ 300 ft	150 m ³ /h @ 92 m
Bulk:	34.7 cfm @ 190 ft	59 m ³ /h @ 57 m
Liquid Mud:	330 gpm @ 660 ft	75 m ³ /h @ 180 m
Base Oil:	660 gpm @ 300 ft	150 m ³ /h @ 92 m

*Approximate values assuming Ideal Conditions

Tow/Anchor Handling

Winch:	Double Drum Winch with Special Handling Drum (500T) (600T Brake)	
Model:	RRM Brattvagg	
Line Pull:	400 mt	
Tow/AH Wire:	3,200 m / 4,100 m of 76 mm	
Work Wire:	13,600 m of 76 mm	
Secondary Winch (2):	RRM Brattvagg (210T Brake)	
Line Pull:	170 mt	
Tow Wire:	2,500 m of 160 mm	
Pennant Reels (1):	1,500 m of 76 mm	
Shark Jaw:	2 X RRM 600 T SWL	
Tow Pins:	4 X RRM 400 T MWL	
Chain Lockers (4):	8,000 m of 76mm chain	
Chain Handler:	2X76 MM + 2X84 MM	
Stern Roller:	2 X RRM (3 X 4.5 M); 750 mt SWL	
Misc. Tow Equipment:	Stop Pins: 2xRRM 100 t SWL, 1x300 t Smit Towing Bracket; Centering Device: 2xRRM 45 t SWL	

Nav/Comms Equipment

Radar(s):	2
Depth Sounder:	1
Gyro Compass:	3
Wind Seed Indicators:	3
Doppler Log:	1
Radio:	2 x VHF
Sat Com:	VSAT/FBB

Accommodations

No. of Berths:	37
Cabins:	29x1-man & 4x2-man
Certified to Carry:	37
Galley seating:	24
Hospital:	Yes

Deck Equipment

Anchors (2):	4320 KG SPEK TYPE
Anchor Chain:	380 m of 50 mm chain per side
Windlass:	RRM Windlass/Mooring Winch LBFMX22050
Crane (2):	5 t @ 10 m
Aux Crane (1):	5 t @ 15 m
Capstans (2):	15 t RRM
Tugger (2):	24 t RRM
Aux Tugger (1):	17 t RRM (FWD)



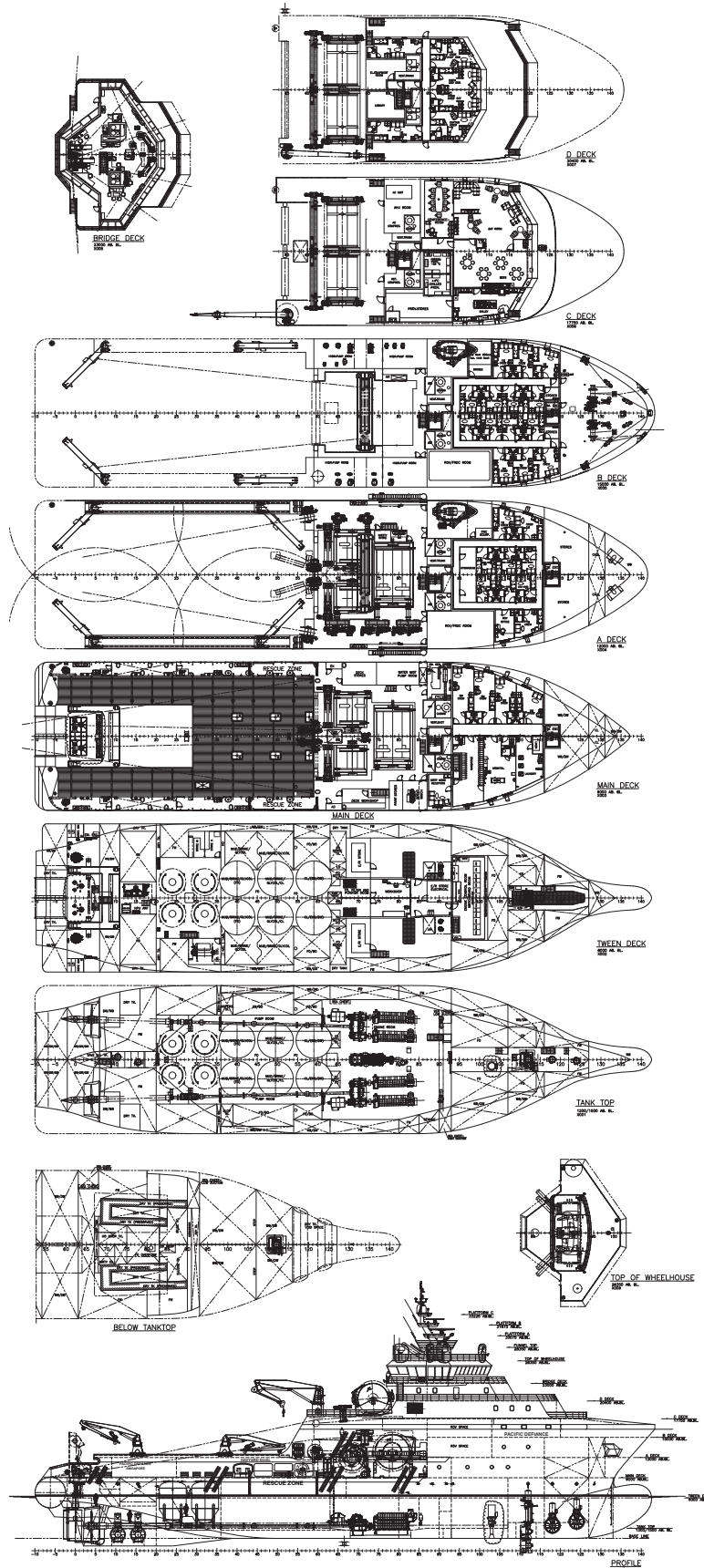
Registration

Flag: SINGAPORE	Home Port: SINGAPORE	
Hull Number: 629	IMO N^o: 9631395	
Year Built: 2013	Call Sign: 9V9505	
Builder:	Singapore Technologies Marine Ltd.	
Tonnage (ITC):	6641 GT	1992 NT

Special Equipment

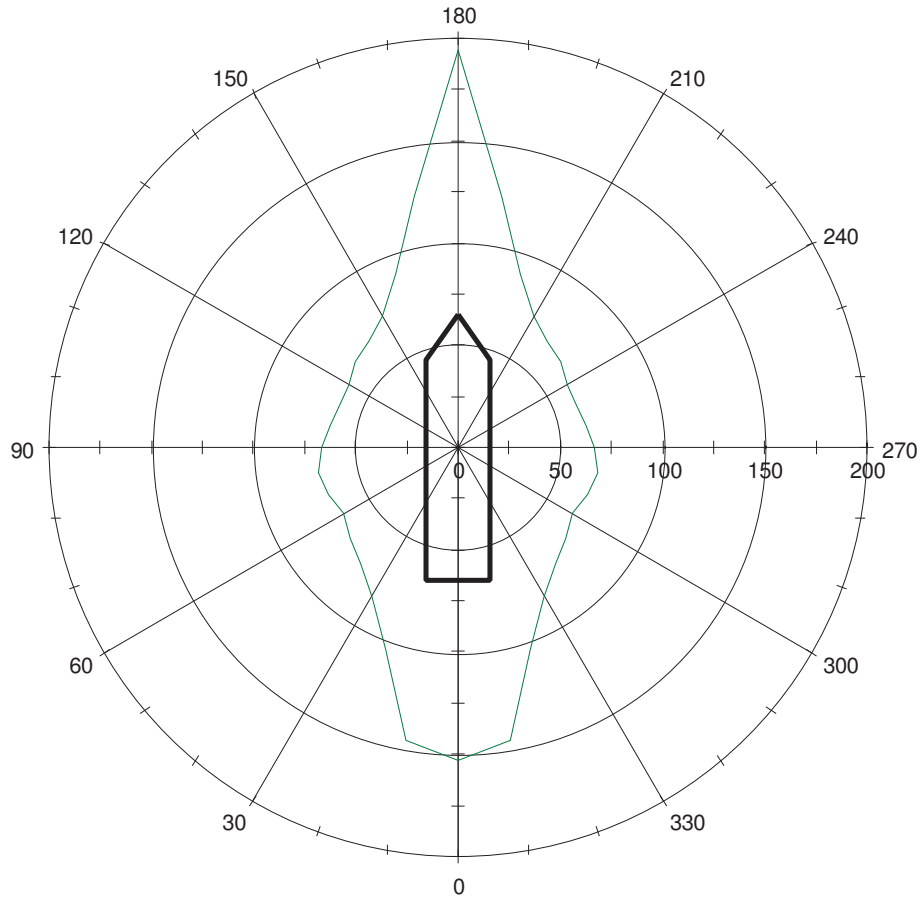
Fire Fighting:	FiFi-1
Dynamic Positioning:	DP-2
Ref. Systems:	3 x MRU; 2 x DGPS; 1 x Microwave-based 1 x Laser-based; 1 x Hydroacoustic-based
Mud Circulation System:	Yes
Rescue Zone:	Yes
Rescue Boat:	Maritime Partner MP660 Springer, 10-Man
SPS Compliant:	Yes
Misc:	ROV Garage (L x W x H: 9 x 5 x 5.5 m); 1x200 MT RRM Anchor Recovery Frame; MSD - 55 Persons

*Approximate values assuming Ideal Conditions





Run : 1 Knots



— Wind [knots]

External:

Variable wind velocity rotating 360 deg
1.01 knots wind generated current rotating 360 deg
Variable wave height fixed at 0.0 deg